

# Falcon Evo Telescopic VFA

The Falcon Evo Telescopic VFA (Variable Forward Arm) is perfect for contractors and municipal environments, where the added benefits of a forward arm is required to improve visibility.

The Falcon Evo Telescopic VFA provides an unrivalled 2.1m total travel including 1.8m forward reach, resulting in an optimum mid-mounted cutting head position.

## Key Features

- 6.5m reach
- Over 2m traverse on variable forward arm
- Axle bracket mounted only
- 125 l/min independent system



### Want to know more about the Falcon Evo Telescopic VFA?

Scan the QR code to the left with a smart phone or tablet and compatible app to instantly view the page.

Alternatively visit: [www.bomford-turner.com/landscape/arm-mowers/falcon-evo-telescopic-vfa/](http://www.bomford-turner.com/landscape/arm-mowers/falcon-evo-telescopic-vfa/)



# Product Specification

● Standard ○ Optional — Not Available

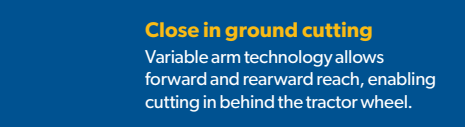
Falcon Evo Telescopic VFA	T-VFA 6.5m (21'4")
<b>Tractor requirements</b>	
Minimum horse power	120hp
Minimum weight	4800kg / 10582lbs
<b>Base unit mounting options</b>	
Front mount	—
Mid-mount	—
Rear mount	●
Three point linkage (CAT II)	—
Axle bracket	●
<b>Overall machine parameters</b>	
Machine weight with head and oil	2270kg / 5005lbs
Capacity of oil tank	250L / 66USG
Weight of machine with oil but without head	1980kg / 4365lbs
<b>Controls</b>	
Cable Control (CC)	●
Low pressure hydraulics (LPH)	—
Electronic proportional control (EPP)	○
Intelligent control system (ICS)	○
Cable rotor reverse	○
Electronic rotor reverse	○
<b>Hydraulic system</b>	
System capability	74hp
Pump flow rate	125L / 33USG
Pump type (Gear/Piston/Helical)	Gear
Pump arrangement (Twin/In-line)	Twin
Independent hydraulics	●
Oil cooler	●

Falcon Evo Telescopic VFA	T-VFA 6.5m (21'4")
<b>Arm features and main frame</b>	
Forward arm	2112mm / 6'11"
Telescopic arm	●
Telescopic arm stroke	900mm / 2'11"
Power slew	●
Power slew angle	94°
Gravity breakout protection	—
Hydraulic breakout protection	●
Arm float - manual operation	●
Arm float - electronic operation	●
Head float - manual operation	●
Head float - electronic operation	●
Left hand cutting	○
Right hand cutting	○
Left and right hand cutting	—
<b>Arm attachments available</b>	
Variable track bracket (VTB)	—
Sheartrim cutter bar	○
Pro-Saw	○
Ditch cleaner	○
Rotary head	○
<b>Accessories</b>	
Road Lights	●
Debris Blower	○
Warning Arrow (Magnetic / Fixed)	○
Cab Guard Kit	●
<b>Cutting heads (For Flail compatibility see page 95)</b>	
1.2m Pro-Cut - 115/150mm roller	○
1.5m Pro-Cut - 115/150mm roller	○
1.2m Pro-Cut ISMP - 115/150mm roller	○
2m HD head	○



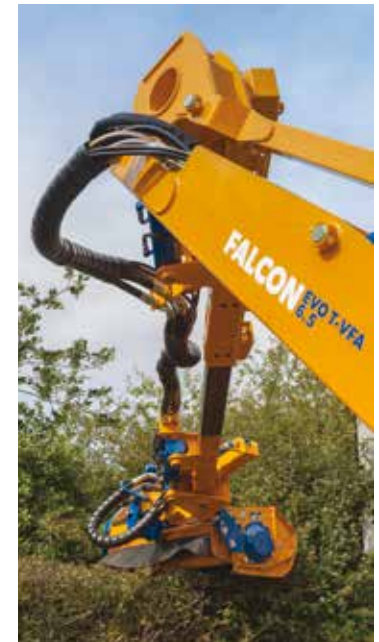
## Telescopic second boom

To give greater reach in those harder to reach areas, all controlled from the in cab controls.



## Close in ground cutting

Variable arm technology allows forward and rearward reach, enabling cutting in behind the tractor wheel.



## Telescopic Reach

The VFA allows total flexibility of position during arms operation.



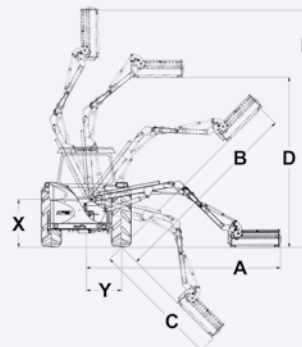
## Close in cutting capabilities

To allow cutting in tight spaces and narrow lanes.

# Working Reach

Head used for calcs: 1.2m Pro-Cut

Side Reach Falcon Evo 6.5m T-VFA (21'4")	
A	6.5m / 21'4"
B	6.83m / 22'5"
C	4.61m / 15'2"
D	6.03m / 18'9"
E	7.66m / 25'2"
X	1.6m / 5'3"
Y	1.00m / 3'4"



Forward Reach Falcon Evo 6.5m T-VFA (21'4")	
A	6.61m / 21'8"
F	5.93m / 19'5"
G	6.4m / 21'
H	1.82m / 6'
J	0.9m / 2'11"

