

Kestrel Evo 'S' VFA

The ever popular VFA variable forward arm is now available in the compact yet powerful Kestrel 'S' range.

Features include integral road lighting, tubular 3 point linkage and power slew with hydraulic breakout.

Key Features

- 5m reach
- Parallel arm option
- Choice of flails, heads and cutter bars
- Power slew
- Debris blower option



Want to know more about the Kestrel Evo 'S' VFA?

Scan the QR code to the left with a smart phone or tablet and compatible app to instantly view the page.

Alternatively visit: www.bomford-turner.com/landscape/arm-mowers/kestrel-evo-s-vfa/



Product Specification

● Standard ○ Optional — Not Available

Kestrel Evo 'S' VFA	5.0m (16'5")
Tractor requirements	
Minimum horse power	50hp
Minimum weight	3000kg / 6614lbs
Base unit mounting options	
Front mount	—
Mid-mount	—
Rear mount	●
Three point linkage (CAT II)	●
Axle bracket	—
Sub Frame	—
Yoke	—
Overall machine parameters	
Machine weight with head and oil	1180kg / 2601lbs
Capacity of oil tank	160L / 42.3USG
Weight of machine with oil but without head	940kg / 2072lbs
Controls	
Cable Control (CC)	●
Low pressure hydraulics (LPH)	○
Electronic proportional control (EPP)	○
Intelligent control system (ICS)	—
Cable rotor reverse	●
Electronic rotor reverse	—
Hydraulic System	
System capability	54hp
Pump flow rate	88L / 19.4USG
Pump type (Gear / Piston / Helical)	Gear
Pump arrangement (Twin / Tandem Inline)	Twin
Independent hydraulics	●
Oil cooler	○

Kestrel Evo 'S' VFA	5.0m (16'5")
Arm features and main frame	
Forward arm	1200mm / 3'11"
Telescopic arm	—
Telescopic arm stroke	—
Power slew	●
Power slew angle	94°
Gravity breakout protection	—
Hydraulic breakout protection	●
Arm float - manual operation	○
Arm float - electronic operation	○
Head float - manual operation	●
Head float - electronic operation	○
Left hand cutting	○
Right hand cutting	○
Left and right hand cutting	—
Arm attachments available	
Variable track bracket (VTB)	—
Sheartrim cutter bar	○
Pro-Saw	○
Ditch cleaner	—
Rotary head	—
Accessories	
Road lights	●
Debris blower	○
Warning arrow - Magnetic	○
Cab guard kit	●
Cutting heads (For Flail compatibility see page 95)	
1.2m Pro-Trim with 115/150mm roller	○
1.2m Pro-Trim ISMP with 115/150mm roller	○
1.5m Pro-Trim with 115/150mm roller	○

Low profile tank

Aids driver visibility.

LED road lighting

Fitted as standard.

Powerful 74hp hydraulics

For continuous use. Twin pumps with separate oil tank.



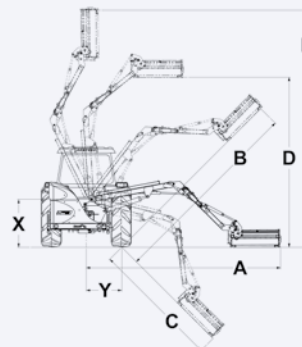
Clear visibility

Variable forward reach brings cutting head into drivers view.

Working Reach

Head used for calcs: 1.2 Pro-Trim

Side Reach Kestrel Evo 'S' VFA 5.0M (16'5")	
A	5.08m / 16'8"
B	4.80m / 15'9"
C	4.94m / 16'2"
D	4.49m / 14'9"
E	5.66m / 18'7"
X	1.35m / 4'5"
Y	1.0m / 3'4"



Forward Reach Kestrel Evo 'S' VFA 5.0M (16'5")	
A	5.08m / 16'8"
F	4.96m / 17'8"
G	5.0m / 16'4"
H	1.2m / 3'11"
J	0.56m / 1'10"

