

Eagle

The Eagle flail mower features a telescopic outer arm, giving it a maximum reach of 8.0 metres and the whole arm is mounted on a kingpost so that it can be slewed through 180 degrees for double sided, left or right-hand cutting.

The Eagle can be specified with either a gear or a piston system, and features wraparound steel hoses on the first arm and kingpost for durability and improved hose routing, along with weight saving.

Key Features

- 8m reach
- Left and right handed cutting
- 137 l/min independent hydraulic system
- 1.2m, 1.5m or 2m cutting head



Want to know more about the Eagle?

Scan the QR code to the left with a smart phone or tablet and compatible app to instantly view the page.

Alternatively visit: <http://www.bomford-turner.com/landscape/arm-mowers/eagle/>



Steel hoses

Improves hose routing and aids cooling.



Heavy duty twin ram slew system

Includes hydraulic breakout to protect machine operator.



Worm drive slew

New turntable design allows precise control of cutting head.

Product Specification

● Standard ○ Optional — Not Available

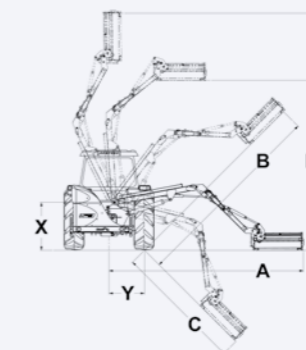
Eagle	8.0m T (26'4")
Tractor requirements	
Minimum horse power	160hp
Minimum weight	6500kg 14330lbs
Base unit mounting options	
Front mount	—
Mid-mount	—
Rear mount	●
Three point linkage (CAT II)	—
Axle bracket	●
Overall machine parameters	
Machine weight with head and oil	2590kg 5710lbs
Capacity of oil tank	138L 37USG
Weight of machine with oil but without head	2230kg 4916lbs
Controls	
Cable Control (CC)	—
Low pressure hydraulics (LPH)	—
Electronic proportional control (EPP)	—
Intelligent control system (ICS)	●
Cable rotor reverse	—
Electronic rotor reverse	●
Hydraulic system	
System capability	85hp
Pump flow rate	137L 36USG
Pump type (Gear/Piston/Helical)	Gear
Pump arrangement (Twin/In-line)	Twin
Independent hydraulics	●
Oil cooler	●

Eagle	8.0m T (26'4")
Arm features and main frame	
Forward arm	—
Forward arm reach	—
Telescopic arm	●
Telescopic arm stroke	1300mm 4'3"
Power slew	●
Power slew angle	180°
Gravity breakout protection	—
Hydraulic breakout protection	●
Arm float - manual operation	●
Arm float - electronic operation	●
Head float - manual operation	○
Head float - electronic operation	●
Left hand cutting	○
Right hand cutting	○
Left and right hand cutting	●
Arm attachments available	
Variable track bracket (VTB)	—
Sheartrim cutter bar	○
Pro-Saw	○
Ditch cleaner	○
Rotary head	○
Accessories	
Road Lights	●
Debris Blower	—
Warning Arrow (Magnetic / Fixed)	○
Cab Guard Kit	●
Cutting heads (For Flail compatibility see page 95)	
1.2m Pro-Cut - 115/150mm roller	○
1.5m Pro-Cut - 115/150mm roller	○
1.2m Pro-Cut ISMP - 115/150mm roller	○
2m HD head	○

Working Reach

Head used for calcs: 1.2 Pro-Cut

	Eagle 8.0M T (26'4")
A	8.0m / 26'3"
B	7.8m / 25'7"
C	6.2m / 20'4"
D	7.0m / 23'
E	8.8m / 28'11"
X	1.2m / 3'11"
Y	1.2m / 3'11"



Improved main cutting circuit oil cooler

For better temperature control.

