

Hawk Evo Forward

The Hawk Evo Forward arm is perfect for farmers, contractors and municipal environments where the added benefits of a forward arm is required to improve visibility and minimise operator stress and fatigue.

Fitted as standard with the powerful 125 litre drive system, the Hawk Evo Forward will perform on all stages. There is a choice of controls and attachments to suit a wide range of applications.

Key Features

- 5.4m or 6.0m reach
- Heavy Duty Linkage
- 125 l/min independent system
- 1.2m or 1.5m cutting head
- Non parallel



Want to know more about the Hawk Evo Forward?

Scan the QR code to the left with a smart phone or tablet and compatible app to instantly view the page.

Alternatively visit: <http://www.bomford-turner.com/landscape/arm-mowers/hawk-evo-forward/>



Folding second arm

Hydraulic arm folds to create a narrow width to aid transport.



Heavy duty linkage

Provide maximum stability for larger arm mowers.



Oil cooler

Standard on all models (cable controls as an option).

Product Specification

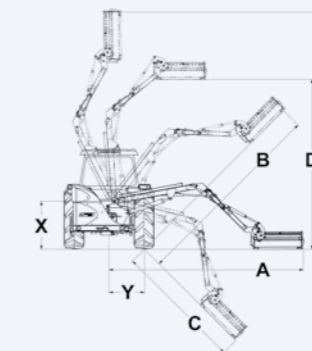
● Standard ○ Optional — Not Available

Hawk Evo FWD	5.4m (17'9")	6.0m (19'8")
Tractor requirements		
Minimum horse power	65hp	70hp
Minimum weight	3500kg / 7716lbs	4000kg / 8819lbs
Base unit mounting options		
Front mount	—	—
Mid-mount	—	—
Rear mount	●	●
Three point linkage (CAT II)	●	●
Axle bracket	○	○
Overall machine parameters		
Machine weight with head and oil	1640kg / 3616lbs	1740kg / 3836lbs
Capacity of oil tank	200L / 53USG	200L / 53USG
Weight of machine with oil but without head	1400kg / 3086lbs	1500kg / 3307lbs
Controls		
Cable Control (CC)	●	●
Low pressure hydraulics (LPH)	○	○
Electronic Switch Control (ESC)	○	○
Electronic proportional control (EPP)	○	○
Intelligent control system (ICS)	○	○
Cable rotor reverse	○	○
Electronic rotor reverse	○	○
Hydraulic System		
System capability	60hp	60hp
Pump flow rate	104L / 27.5USG	104L / 27.5USG
Pump type (Gear / Piston / Helical)	Gear	Gear
Pump arrangement (Twin / Tandem Inline)	Twin	Twin
Independent hydraulics	●	●
Oil cooler	○	○
Accessories		
Road lights	●	●
Debris blower	○	○
Warning arrow - Magnetic	○	○
Cab guard kit	●	●

Working Reach

Head used for calcs: 1.2 Pro-Trim

	Hawk Evo FWD 5.4m (17'9")	Hawk Evo FWD 6.0m (19'8")
A	5.36m / 17'7"	5.96m / 19'7"
B	5.52m / 18'1"	6.08m / 19'11"
C	3.50m / 11'6"	4.21m / 13'10"
D	4.87m / 16'	5.19m / 17'
E	6.65m / 21'10"	7.27m / 23'8"
X	1.35m / 4'5"	1.35m / 4'5"
Y	1.00m / 3'4"	1.00m / 3'4"



Hawk Evo FWD	5.4m (17'9")	6.0m (19'8")
Arm features and main frame		
Forward reach arm	●	●
Forward reach	800mm / 2'6"	800mm / 2'6"
Power slew	●	●
Power slew angle	94°	94°
Gravity breakout protection	—	—
Hydraulic breakout protection	●	●
Arm float - manual operation	○	○
Arm float - electronic operation	○	○
Head float - manual operation	●	●
Head float - electronic operation	○	○
Left hand cutting	○	○
Right hand cutting	○	○
Left and right hand cutting	—	—
Arm attachments available		
Variable track bracket (VTB)	—	—
Sheartrim cutter bar	○	○
Pro-Saw	○	○
Ditch cleaner	—	—
Rotary head	—	—
Cutting heads (For Flail compatibility see page 95)		
1.2m Pro-Trim with 115/150mm roller	○	○
1.2m Pro-Trim ISMP with 115/150mm roller	○	○
1.5m Pro-Trim with 115/150mm roller	○	○



Optimum viewing position

Clearly see the operation of the cutting head and manoeuvre around obstacles.

